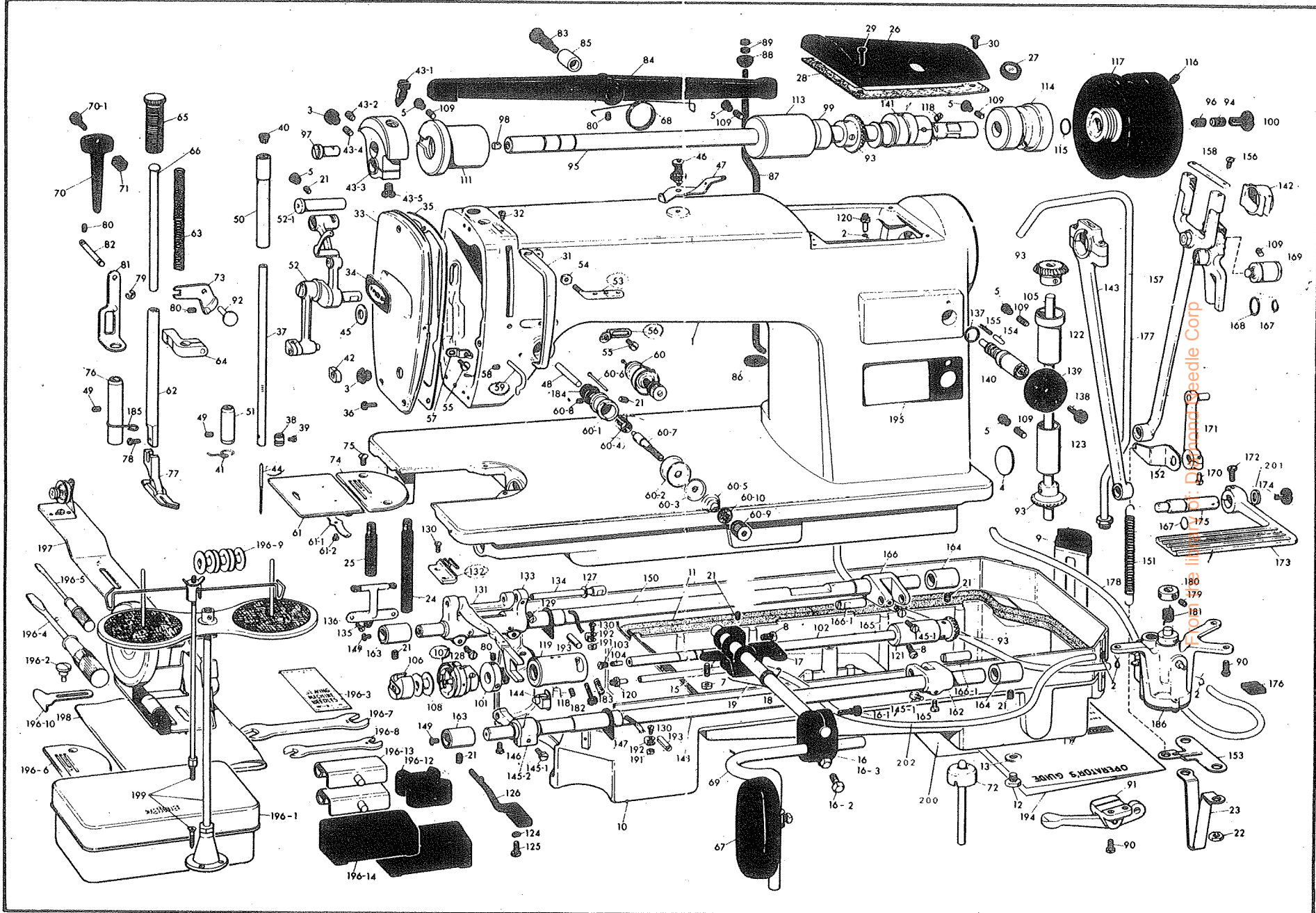


CONSEW®

MODEL 230R-1 / 230RH-1 / 230RB-1



For ordering, use not position number in illustration but parts number accompanied by A as indicated in list and the meaning of "B" is for using MOD. 230RH-1 & "BL" is for using 230RB-1.

PART NO.	PART NAME	PART NO.	PART NAME	PART NO.	PART NAME	PART NO.	PART NAME
A 1	2110901-100-U ARM-BED ASSEMBLY	A 56	2110602-313-C THREAD GUIDE RIGHT	A 105	2110604-241 VERTICAL SHAFT ONLY	A 163	2110205-231 FRONT BUSHING FOR A148, A150
A 2	0251011-154-B OIL HOSE CLIP	A 57	2110902-315 THREAD GUIDE LEFT	A 106	2110104-301-B BOBBIN CASE ASSEMBLY	A 164	2110205-232 REAR BUSHING FOR A148, A150
A 3	2120201-234 PLUG FOR A33	A 58	9501101-259 SET SCREW FOR A59	A 107	2110914-310 ROTATING HOOD ASSEMBLY	A 165	9531102-256 SET SCREW FOR A166
A 4	2110201-253 PLUG FOR BED HOLE	A 59	2110902-316 THREAD GUIDE FRONT	A 108	2110104-321 BOBBIN	A 166	2110215-280-B FEED ROCK ARM
A 5	2110201-254 PLUG FOR SCREW HOLE	A 60	2110202-350-G TENSION COMPLETE	A 109	9015600-006 SET SCREW FOR A112	A 166-1	2110205-282 HINGED PIN FOR A166
A 7	9410125-107 NUT FOR A15	A 60-1	2110202-351-D TENSION BARREL	A 111	2110904-112-A TOP SHAFT FRONT BUSHING	A 167	9060100-007 PACKING FOR A169
A 8	9024000-002-A SET SCREW FOR A17	A 60-2	2110102-352 TENSION DISK	A 112	2110202-353 TENSION RELEASE WASHER	A 168	9060100-019 OIL SEAL FOR A169
A 9	2110601-301-B OIL PAN SUPPORT A	A 60-3	2110202-354-A CHECK SPRING	A 113	2110904-113-B TOP SHAFT CENTER BUSHING	A 169	2110905-320-B FULCRUM SHAFT AND BUSHING FOR A157
A 10	2110901-311 OIL PAN	A 60-4	2110202-355-A TENSION SPRING	A 114	2110904-114-A TOP SHFT REAR BUSHING	A 170	9531102-256 SET SCREW FOR A152
A 11	2110601-312-A OIL PAN GASKET	A 60-5	2110202-356-B TENSION RELEASE PIN	A 115	9060100-006 PACKING FOR A117	A 171	2110605-330-A FEED REGULATOR ARM
A 12	2110201-313-A DRAIN PLUG	A 60-6	2110202-357-A TENSION STUD	A 116	9501503-276 SET SCREW FOR A117	A 172	9541220-107 SET SCREW FOR A173
A 13	2110201-314-B PACKING FOR A12	A 60-7	2110202-358 SET SCREW FOR A60-7	A 117	2110904-151-B HAND WHEEL	A 173	2110905-334-B FEED REGULATOR HAND LEVER
A 15	9501208-256 ADJUST SCREW FOR A17	A 60-8	2110202-359 TENSION ADJUSTING KNOB	A 118	9015600-005-A SET SCREW FOR A141	A 174	9541208-107 CAP SCREW FOR A173
A 16	2110203-340-B KNEE LIFTER ARM JOINT COMPLETE	A 60-9	2110202-366 RATCHET FOR A60-9	A 119	2120414-212-A HOOK SHAFT FRONT BUSHING	A 175	2110905-335-F REGULATOR SHAFT
A 16-1	9581602-207 CLAMP SCREW FOR A16	A 61	2110213-120-A SLIDE PLATE	A 120	2110206-169 OIL HOSE NIPPLE	A 176	2110206-116-B MAGNET
A 16-2	9592002-159 SET SCREW FOR KNEE LIFTER	A 62	2110203-211-A PRESSER BAR ONLY	A 121	2110204-214 HOOK SHAFT REAR BUSHING	A 177	2110906-140-B OIL FEED TUBE COMPLETE
A 16-3	2110203-341-B KNEE LIFTER ARM JOINT	A 63	2110903-213 PRESSER SPRING INNER	A 122	2110204-242 VERTICAL SHAFT UPPER BUSHING	A 178	2110906-149-A OIL RETURN TUBE
A 17	2110903-344-B KNEE LIFTER CONTROLLER	A 64	2110903-230-B PRESSER BAR GUIDE BRACKET COMPLETE	A 123	2110904-243 VERTICAL SHAFT LOWER BUSHING	A 179	9501204-279 SET SCREW FOR A180
A 18	2110903-363 KNEE LIFTER SHAFT	A 64-1	2110903-231-A PRESSER BAR GUIDE BRACKET	A 124	9130500-318 SPRING WASHER FOR A125	A 180	2110606-151 COLLAR FOR A181
A 19	2110903-364-A SPRING FOR A17	A 64-2	9541102-259 SET SCREW FOR A64-1	A 125	9531104-267 SET SCREW FOR A126	A 181	2110606-152 SPRING JOINT
A 21	9501508-276 SET SCREW FOR A20	A 65	2110203-271-A PRESSURE REGULATOR SCREW	A 126	2110904-315-B HOOK RETAINER	A 182	2110616-212 OIL ADJUSTING VALVE FOR A119
A 22	9420201-119 NUT FOR A23	A 66	2110203-272-B PRESSURE REGULATOR BAR	A 127	9030100-036 THRUST WASHER FOR A134	A 183	2110606-233 SPRING FOR A182
A 23	2210101-451 BED LEG RIGHT	A 67	2110213-303-C KNEE LIFTER PAD	A 128	9541210-259 CLAMP SCREW FOR A133	A 184	2110202-361 PACKING FOR A60
A 24	2210101-452-A BED LEG FRONT	A 68	2110903-333 SPRING FOR A84	A 129	9531502-119 SET SCREW FOR A134	A 185	2210106-424-A RETAINER FOR OIL TUBE
A 25	2210101-453-A BED LEG REAR	A 69	2110903-342 KNEE LIFTER ARM	A 130	9530801-279 SET SCREW FOR A193	A 186	2110206-110-E OIL PUMP BODY
A 26	2110901-211 TOP COVER PLATE ONLY	A 70	2110203-351 PRESSER BAR LIFTER LEVER	A 131	2110305-211-E FEED BAR	A 192	2110206-346 HOLDER FOR OIL WICK
A 27	2110901-306 OIL GAUGE WINDOW	A 70-1	9013400-012 HINGE SCREW FOR A70	A 132	2210405-223-A FEED DOG	A 193	2110206-347 TAPE FOR OIL WICK
A 28	2110901-215 GASKET FOR A26	A 71	2110203-352 NUT FOR A70-1	A 133	2110905-210-C FEED BAR BELL CRANK	A 194	2110979-111 INSTRUCTION BOOKLET
A 29	9540906-247 SET SCREW FOR A26	A 72	2110903-366 KNEE LIFTER PLNUGER	A 134	2110206-225-D FEED BAR SHAFT	A 195	2110909-411 MODEL PLATE
A 30	9540907-247 SET SCREW FOR A26	A 73	2110903-411-A ADJUST PLATE FOR TENSION RELEASE	A 135	9540806-106 SET SCREW FOR A136	A 196	0201531-110 ACCESSORY BOX COMPLETE
A 31	2110901-241-A GUARD FOR TAKE UP LEVER	A 74	2110303-112-F NEEDLE PLATE	A 136	2110606-345 RETAINER PLATE FOR OIL WICK	A 196-1	0102681-111-B ACCESSORY BOX
A 32	9531103-259 SET SCREW FOR A31	A 75	9561106-261 SET SCREW FOR A74	A 137	9060100-018 OIL SEAL FOR A140	A 196-2	1110101-142-C CLOTH GUIDE THAMB SCREW
A 33	2110901-231-A FACE COVER PLATE	A 76	2110203-215-A BUSHING FOR A62	A 138	9541203-247 LOCK SCREW FOR A139	A 196-3	2110302-190-A NEEDLES #14, #16
A 34	2110909-211 NAME PLATE	A 77	2110103-220-C HINGED FOOT COMPLETE	A 139	2110305-350-E FEED REGULATOR DIAL	A 196-4	0103083-111 DRIVER LARGE
A 35	2110901-232 GASKET FOR A33	A 78	9540926-241 SET SCREW FOR A77	A 140	2110905-356-B FEED REGULATOR DIAL SHAFT	A 196-5	0103083-112 DRIVER SMALL
A 36	9540907-247 SET SCREW FOR A33	A 79	9080200-007 STOP RING FOR A82	A 141	2110305-111-C FEED CAM	A 196-6	2110313-113-A NEEDLE PLATE
A 37	2110222-111-D NEEDLE BAR ONLY	A 80	9501101-259 SET SCREW FOR A85	A 142	2110305-112-C GUIDE FOR FEED FORK	A 196-7	0201033-121-F WRENCH LARGE
A 38	2110212-116-E THREAD GUIDE FOR A37	A 81	2110903-242-A KNEE LIFTER PRATE	A 143	2110305-112-C GUIDE FOR FEED FORK	A 196-8	0202033-122-C WRENCH SMALL
A 39	9540809-279 SET SCREW FOR A38	A 82	2110903-246-A KNEE LIFTER PIN	A 144	2110205-204-A SLIDING BLOCK FOR A131	A 196-9	2110104-321 BOBBIN
A 40	2110202-115-C RUBBER CAP FOR A50	A 83	9015500-038-B HINGE SCREW FOR A84	A 145	2110305-260-B FEED LIFTING BELL ARM COMPLETE	A 196-10	0102245-111 CLOTH GUIDE
A 41	2110602-116-A THREAD GUIDE A	A 84	2110903-311-A KNEE LIFTER LEVER	A 145-1	9581201-456 CLAMP SCREW FOR A145-2	A 196-12	2110901-325-A RUBBER BASE FOR BED
A 42	2110202-122-B TAKE UP LEVER CRANK COMPLETE	A 86	1210102-187-A FELT WASHER FOR A87	A 145-2	2110305-261-A FEED LIFTING BELL ARM	A 196-13	0201385-173 BED HINGE
A 43	2110232-130 TAKE UP LEVER CRANK COMPLETE	A 87	2110903-321-A KNEE LIFTER PULL ROD	A 146	9541207-279 SET SCREW FOR RUBBER FLANGE	A 196-14	0201385-174-A HINGE SHEET
A 43-1	9013400-013 SET SCREW FOR A43-3	A 88	2110903-322 STOPPER FOR A87	A 147	2110205-233 RUBBER FLANGE	A 197	2110902-410 BOBBIN WINDER
A 43-2	9501801-276 SET SCREW FOR A43-3	A 89	9410125-107 NUT FOR A87	A 148	2110205-251-G FEED LIFTING SHAFT	A 198	0201066-111 MACHINE HEAD COVER
A 43-3	2110232-131 TAKE UP LEVER	A 90	9541201-256 SET SCREW FOR A157, A166	A 149	2110206-252 RUBBER CAP FOR A148, A150	A 199	0201066-130 SPOOL HOLDER
A 43-4	9501604-256 SET SCREW FOR A43-3	A 91	2110903-330 KNEE LIFTER RELEASE LEVER COMPLETE	A 150	2110905-271 FEED ROCK SHAFT	A 200	2110979-141 PARTS LIST
A 43-5	9541604-256 CLAMP SCREW FOR A43-3	A 92	2110903-413-A HINGE PIN FOR A73	A 151	2110905-338-C SPRING FOR A175	A 49	9501501-256 SET SCREW FOR A50, A51
A 44	2110402-194 NEEDLE #14	A 93	2110204-012 GEAR FOR A102, A106	A 152	2110925-341-B RETAINER PLATE A FOR A151	A 201	9030400-001 WASHER FOR 174
A 45	2210102-215-B THRUST WASHER FOR A52	A 94	9015600-004 SET SCREW FOR A96	A 153	2110915-342 RETAINER PLATE B FOR A151	A 202	2110906-144 OIL PIPE FOR 107
A 46	2110902-301 SUPPLEMENTARY TENSION	A 95	2110904-111-D TOP SHAFT ONLY	A 154	2110305-353-C FEED REGULATOR DIAL PIN	A 37-B	NEEDLE BAR ONLY FOR B TYPE
A 47	2110902-318 THREAD GUIDE PLATE	A 96	2110604-118-A TOP SHAFT OIL STOPPER	A 155	2110105-354-A FEED REGULATOR DIAL SPRING	A 52-B	TAKE UP LEVER COMPLETE
A 48	2110902-356-A TENSION RELEASE PIN	A 97	2110904-120-C ADJUSTING VALVE FOR LUBICATION	A 156	9541104-259 SET SCREW FOR A158	A 52-BL	TAKE UP LEVER COMPLETE
A 50	2110202-113-D NEEDLE BAR UPPER BUSHING	A 98	2110904-125 FELT FOR 2095	A 157	2110905-140-E FEED REGULATOR FORK	A 74-B	NEEDLE PLATE FOR 3 TEETH
A 51	2110202-114-E NEEDLE BAR LOWER BUSHING	A 99	2110604-140-A TOP SHAFT COLLAR	A 158	2110305-142-E BRIDGE FOR FEED REGULATOR FORK	A 74-C	NEEDLE PLATE FOR 4 TEETH
A 52	2110602-021-F TAKE UP LEVER COMPLETE	A 100	2110604-152 CAP SCREW FOR A117	A 159	2110105-325 SOFT PLUG FOR A169	A 107-B	ROTATING HOOK ASSY
A 52-1	2110602-214-B HINGED STUD FOR TAKE UP LEVER	A 101	2110204-209-C OIL DEFLECTOR FOR A119	A 160	2110205-282 HINGED PIN FOR A143	A 107-BL	ROTATING HOOK ASSY
A 53	2110602-312 THREAD GUIDE WITH THREE HOLES	A 102	2110604-211-A HOOK SHAFT ONLY	A 161	2110205-282 HINGED PIN FOR A143	A 106-BL	BOBBIN CASE ASSY
A 54	2110602-319 NUT FOR A53	A 103	2110204-216-C SET SCREW FOR A104	A 162	2110205-206-B FEED LIFTING BEEL CRANK	A 108-BL	BOBBIN
A 55	9540901-101 SET SCREW FOR A56, A57	A 104	2110206-366-B FELT FOR A102			A 132-B	FEED DOG FOR 3 TEETH
						A 132-C	FEED DOG FOR 4 TEETH
						A 141-B	FEED CAM
						A 141-B	GUIDE FOR FEED FORK
						A 157-B	FEED REGULATOR FORK